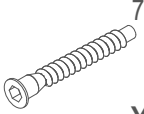

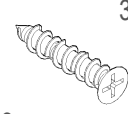
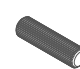
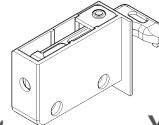
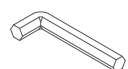


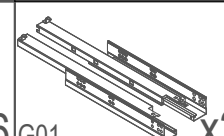
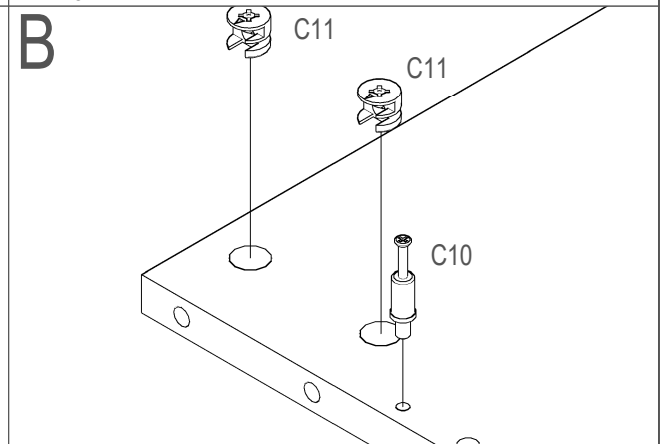
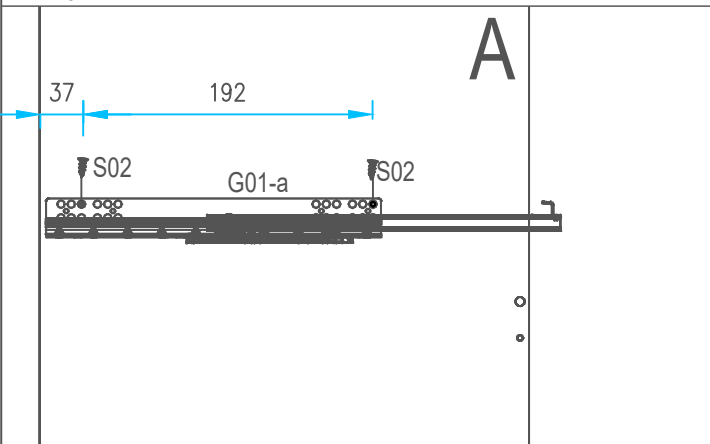
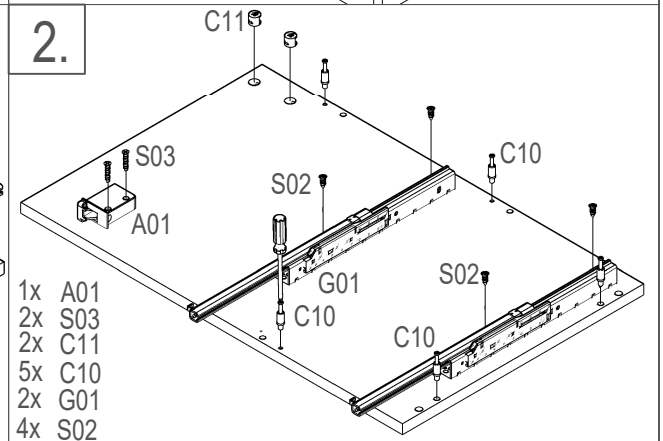
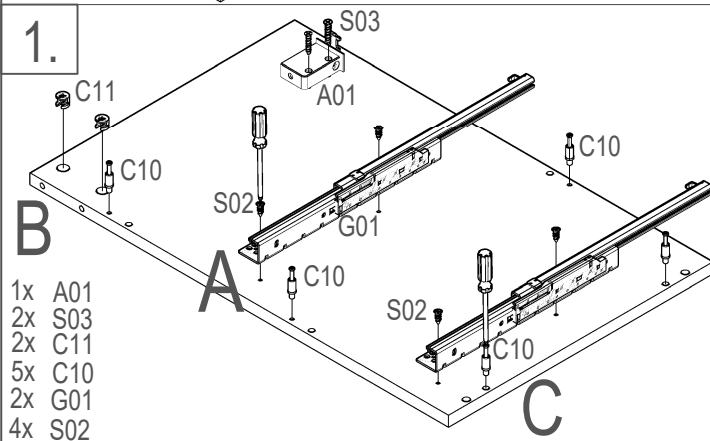
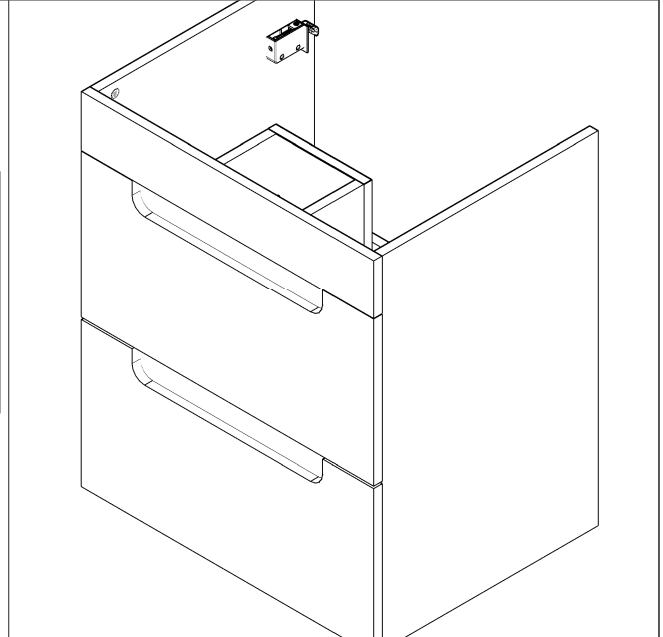
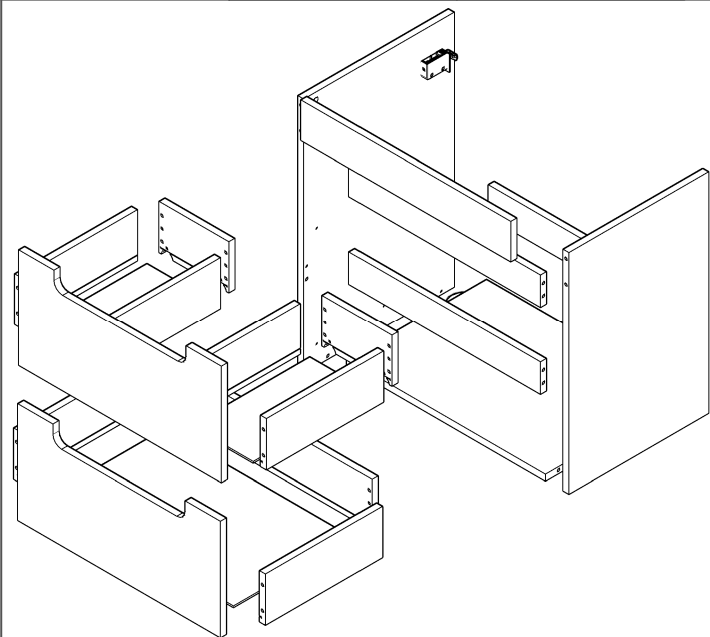
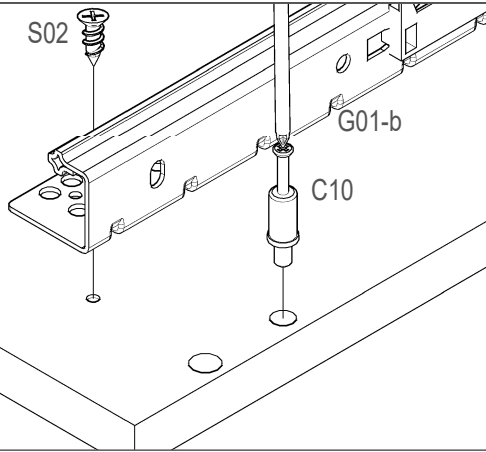


NR.136

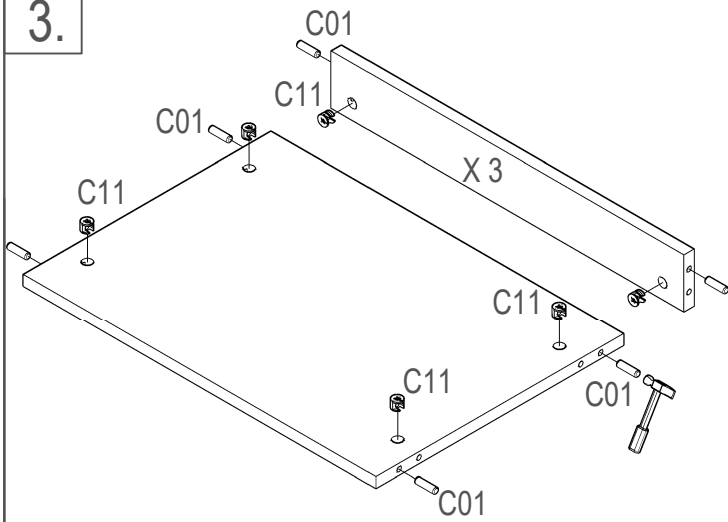
 S01 x6	 S02 x8	 S03 x4	 C01 x22	 A01 x2	 D01 x1
 C10 x26	 C11 x26	 G01 x2			



C

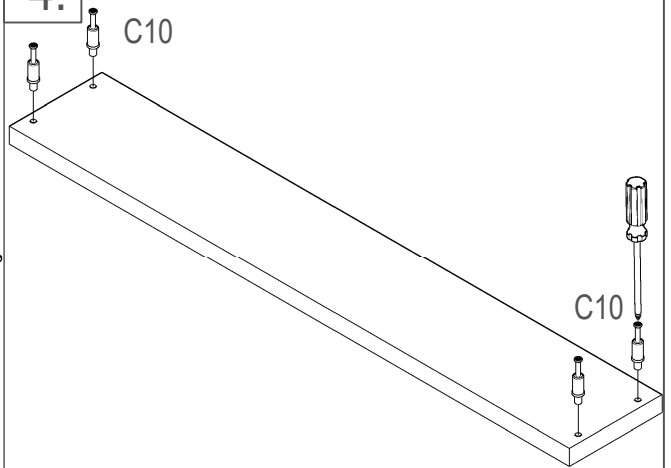


3.



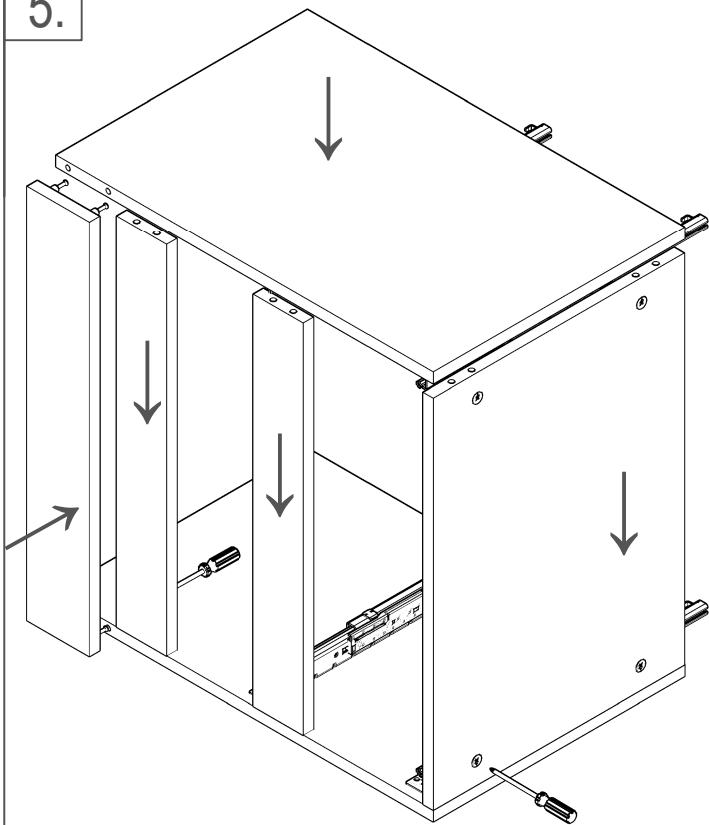
10 X C01
10 X C11

4.

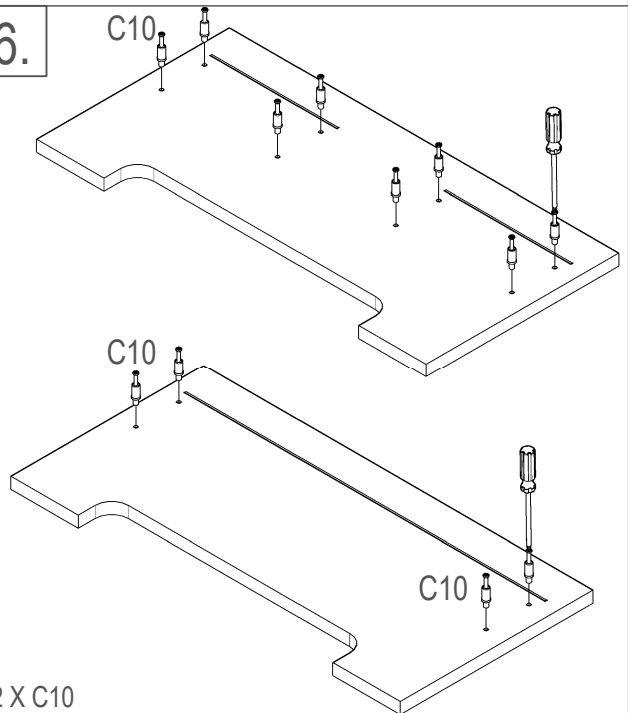


4 X C10

5.

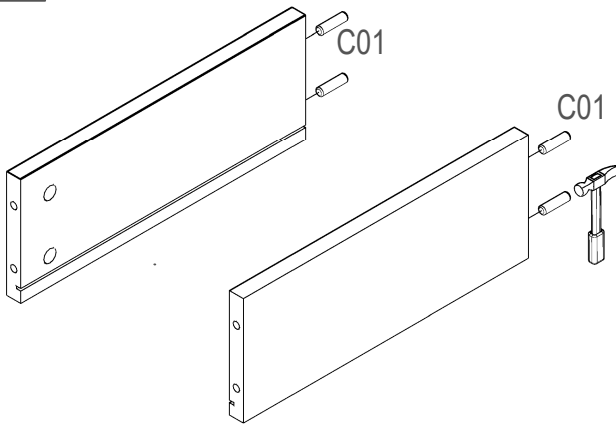


6.



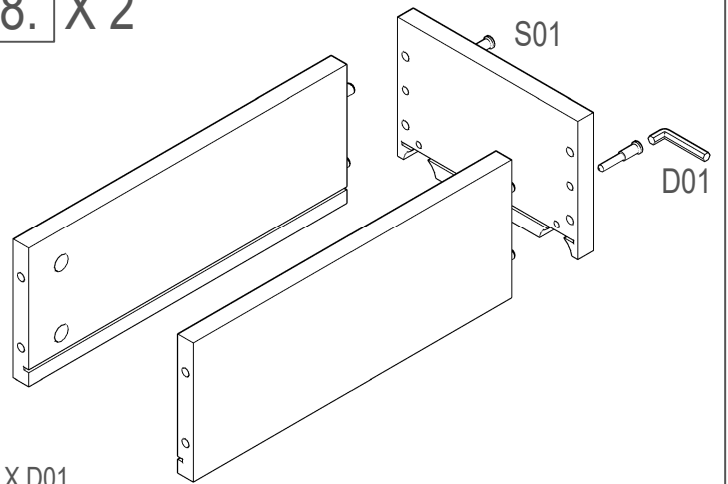
12 X C10

7. X 3



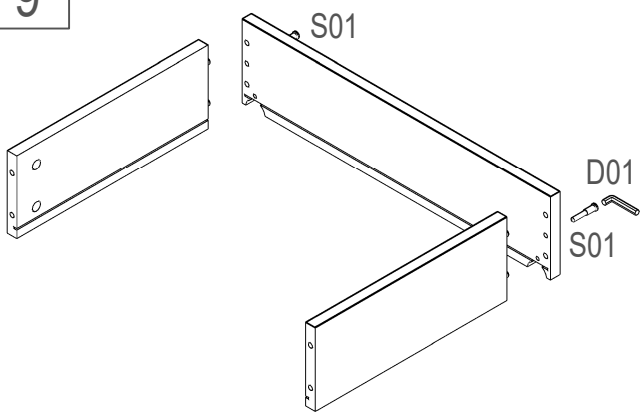
4 X C01

8. X 2



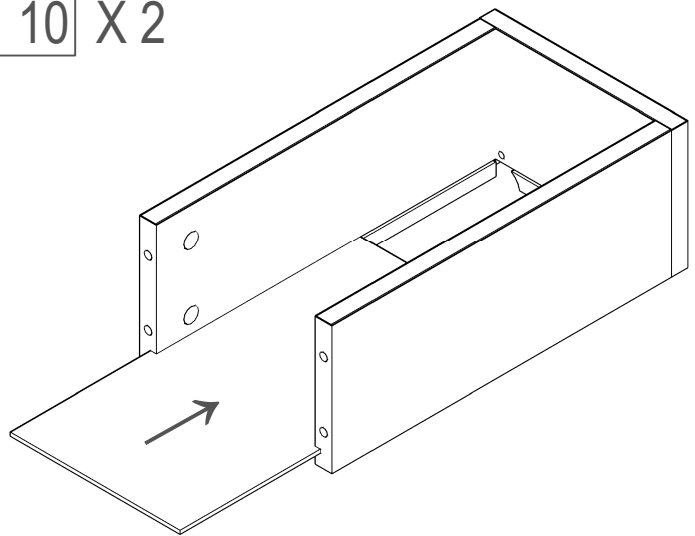
1 X D01
2 X S01

9

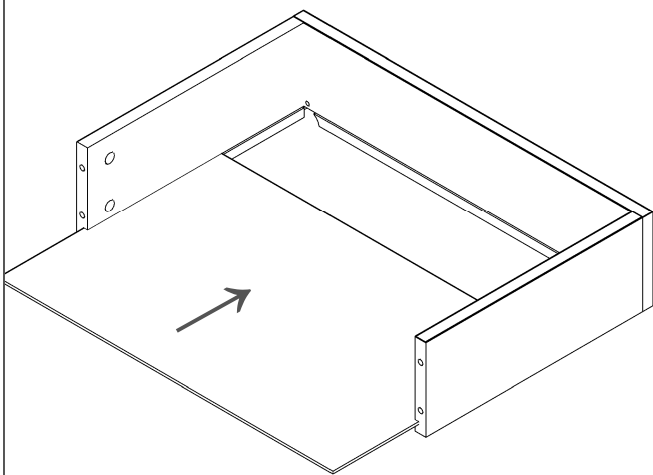


1 X D01
2 X S01

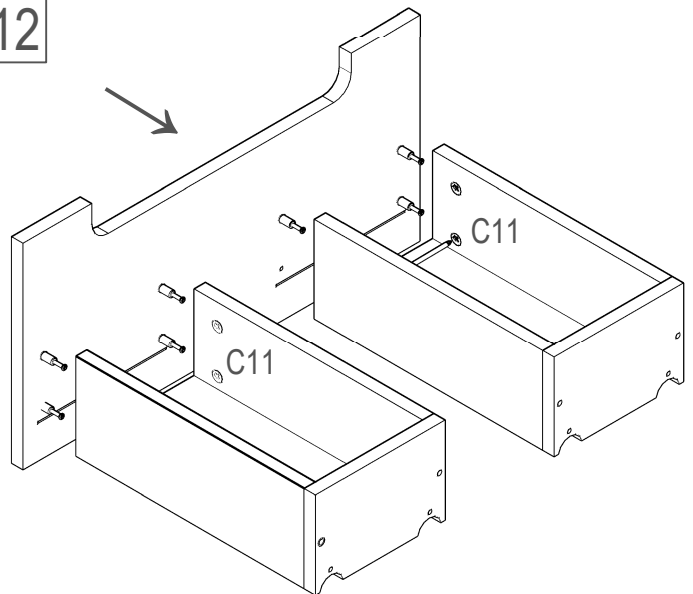
10 X 2



11

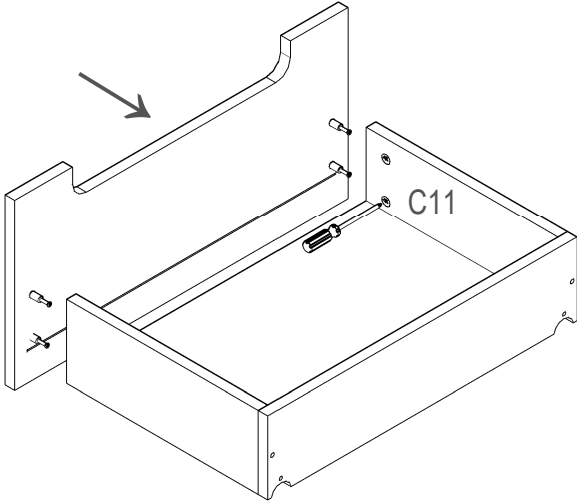


12



8 X C11

13



4 X C11

14

